

# HDP 70 High Pressure Pump Series

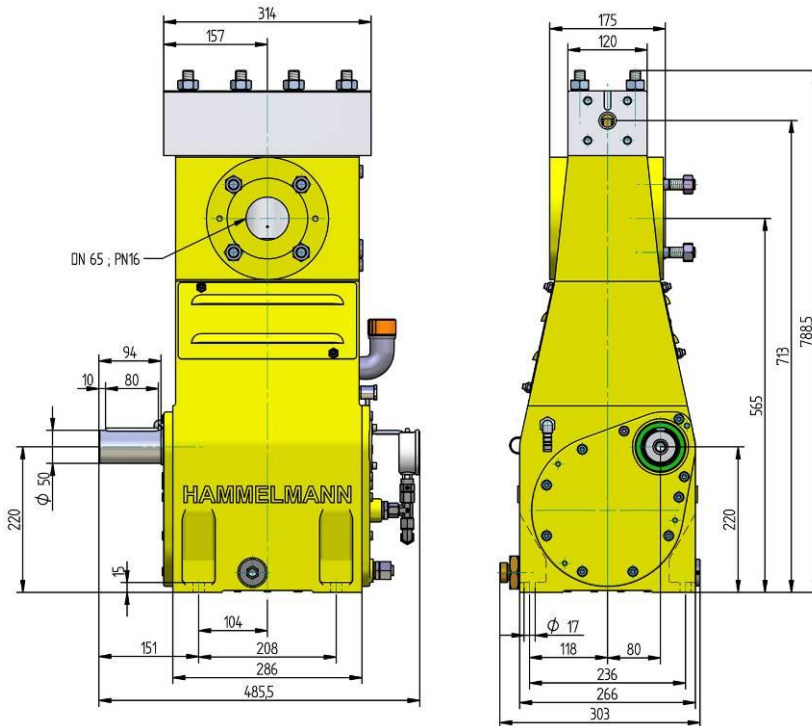
## Design criteria

Hammelmann high pressure pumps are built to operate at the continuous maximum duty stated in the performance parameters. Just compare the crank shaft speed, average plunger speed, plunger diameter and power rating.

### High pressure pump

Weight: approx. 470 lbs

Dimensions: mm



### Features

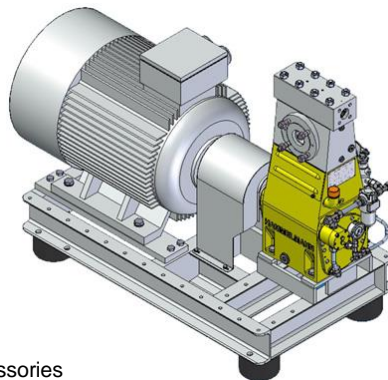
- Power ratings up to 95 HP
- Vertical 3 cylinder design
- Wide variety of complementary ancillaries

### Quality and reliability

- Stainless steel pump head free of alternating stress
- Choice of application specific seal assemblies
- Solid ceramic or tungsten carbide plungers
- Choice of bronze (standard) or stainless steel suction chamber
- Crank section calculation by 'Finite element method' ensures long working life under continuous load
- Integral speed reduction gear
- Pressurised oil lubrication system with oil cooler/filter

### Stationary unit with electric motor

Length: 59 inch  
 Width: 28 inch  
 Height: 43 inch  
 Weight: approx. 521 lbs at 100 HP



Main dimensions without accessories such as suction line, pressure regulator etc. All shown as right side drive. Detailed dimensional drawings and weights available on request.

# HDP 70 series, technical data

## Performance parameters (Standard design)

**Note: Actual flow rates for water as pumped medium (volumetric efficiency has already been taken into account).**

HDP	Q (GPM)	Required power rating [HP]					D	r.p.m.	
		40	50	60	75	95		n 1	n 2
		Operating pressure (psig)							
74	1.6 / 1.3*	38860*	46980*	56980*	65250*	4500*	10	1500	625
	1.9 / 1.6*	33350*	40160*	47560*	58000*	4500*		1500/1800	750
	2.2 / 1.8*	28560*	34220*	40600*	48570*	4200*		1800/2150	900
	1.9 / 1.9*	29000*	35500*	43500*	46100*	55100*	12	1500	625
	2.4 / 2.3*	23900	29700*	36300*	43500*	51500*		1500/1800	750
	2.9 / 2.7*	20300	24700	30500*	37000*	43500*		1800/2150	900
	3.1 / 3.0	18100	22500	27600	34100*		15	1500	625
	3.8 / 3.6	15200	18900	23200	28300	34800*		1500/1800	750
	4.5 / 4.3	12900	16000	18900	23200	29700*		1800/2150	900
	4.5	13500	16700	20300	24700		17,5	1500	625
5.1	11300	14100	16700	20300	25400	1500/1800		750	
6.1	9400	11700	14200	17400	21800	1800/2150		900	

\*Ultra high pressure

73	5.5	10300	12800	15200	18900		20	1500	625
	6.9	8700	10700	13100	16000	19600		1500/1800	750

72	6.9	8700	10700	13100	16000	16400	22	1500	625
	8.4	7300	8800	10900	13200	16400		1500/1800	750
	8.4	7300	9000	10900	13300	13800	24	1500	625
	10.0	6100	7500	9100	11300	13800		1500/1800	750
	10.0	6200	7700	9300	11300	11700	26	1500	625
	11.9	5100	6400	7700	9400	11700		1500/1800	750
	13.2	4600	5700	7000	8600		30	1500	625
	15.6	3800	4800	5800	7100	8700		1500/1800	750
	18.2	3300	4200	5100	6200		35	1500	625
	21.4	2800	3500	4200	5200	6400		1500/1800	750
	24.0	2600	3200	3900	4800		40	1500	625
	28.2	2200	2600	3200	3900	4900		1500/1800	750
	30.4	2000	2500	3000	3800		45	1500	625
	35.6	1600	2000	2500	3000	3900		1500/1800	750
	37.5	1600	1900	2500	3000		50	1500	625
	44.1	1300	1600	2000	2500	3000		1500/1800	750
45.4	1300	1600	2000	2500		55	1500	625	
53.1	1000	1300	1600	2000	2600		1500/1800	750	

HDP	Seal **	Sealing system
74	Dynamic	Tungsten carbide plunger & bushing
	Packing	Special ceramic plunger *** / packing
73	Dynamic	Ceramic plunger / bronze bushing
	Packing	Ceramic plunger / packing
72	Dynamic	Ceramic plunger / bronze bushing
	Packing	Ceramik plunger / packing

\*\* The dynamic high pressure sealing extends the advantages of the labyrinth design with further increased efficiency.

\*\*\* Special ceramic plungers up to max. 37700 psig.



Hammelmann plunger pumps convert 93 to 98 % of the shaft power to hydraulic energy.

**Hammelmann Corp.** 436 Southpointe Drive  
 Miamisburg, Ohio 45342  
 eMail: mail@hammelmann.com

Phone (001) 937-859-8777  
 Fax: (001) 937-859-9188  
 http://www.hammelmann.com



- Rod force: 9,670 lbf
- Stroke: 1.57 inch
- Mean piston speed at n<sub>2</sub>  
 625 r.p.m. = 3.3 feet/sec  
 750 r.p.m. = 3.9 feet/sec  
 900 r.p.m. = 4.7 feet/sec

Typical high pressure pump units



- Stationary unit with electric motor

1' 10"



- Trolley



- Trailer for in plant transport with sound damping cover
- 10 foot sound damped container versions